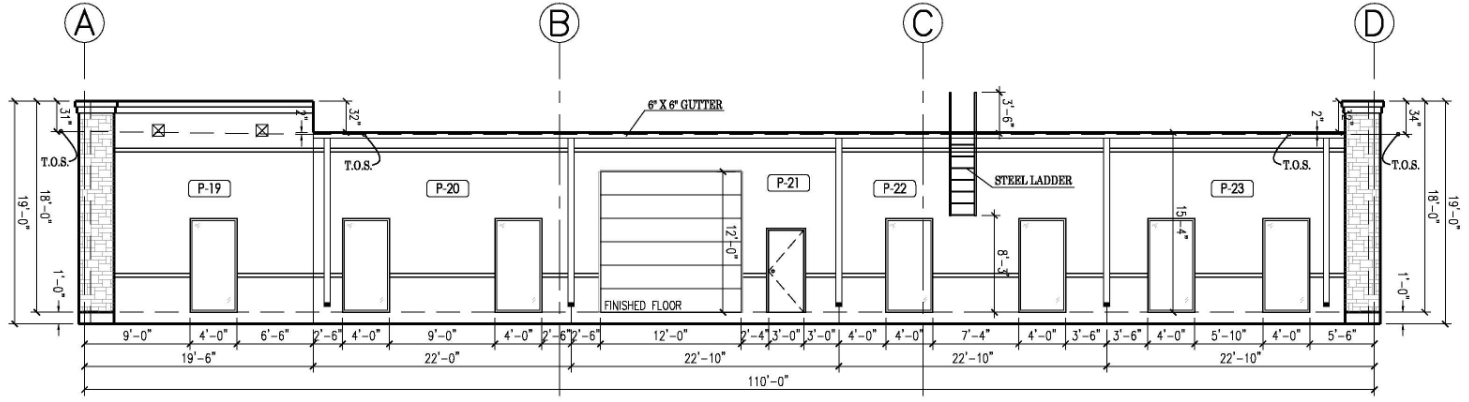


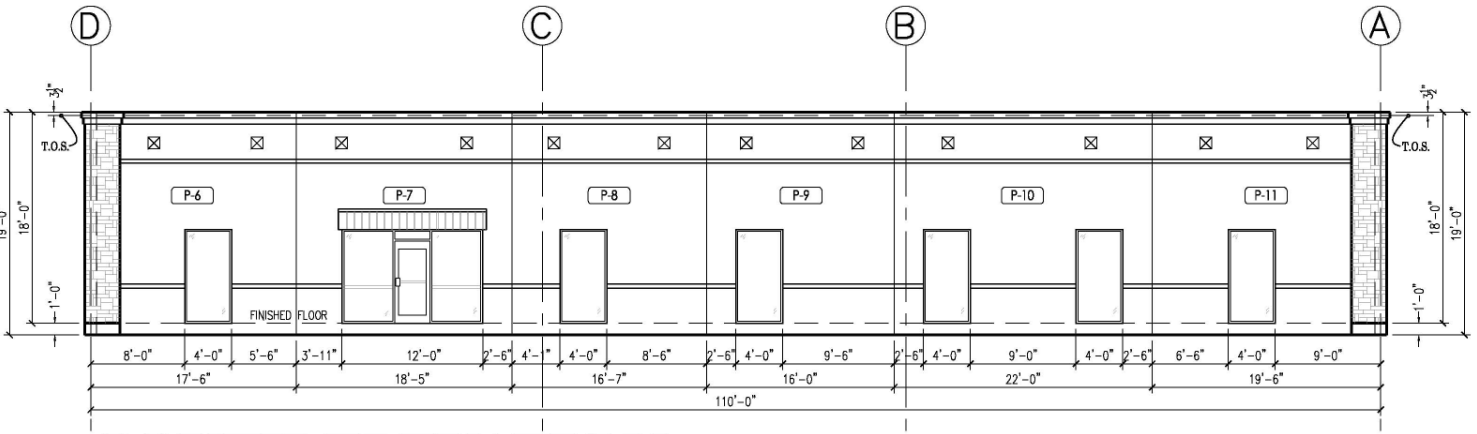
# NORTH ELEVATION

SCALE: 1/8"=1'



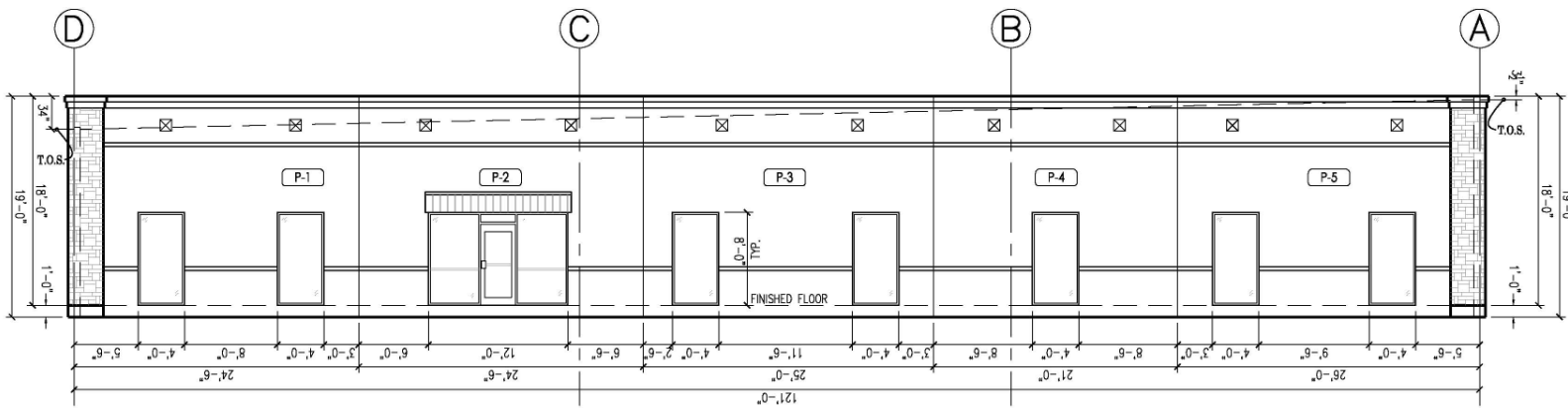
# WEST ELEVATION

SCALE: 1/8"=1'



# SOUTH ELEVATION

SCALE: 1/8"=1'



# EAST ELEVATION

SCALE: 1/8"=1'